

# DAILY €6 VAN SPECIFICATIONS



**IVECO**

Your partner for sustainable transport

# DAILY SPECIFICATIONS 35S VAN

## DIMENSIONS (mm)

	35S14V Euro VI		35S18V Euro VI		35S21V Euro VI	
<b>X</b> Wheelbase	3520L	4100	3520L	4100	3520L	4100
<b>Y</b> Rear overhang	1519	2104	1519	2104	1519	2104
<b>K</b> Overall length	6087	7252	6087	7252	6087	7252
<b>H</b> Overall height – unladen	2660	2663	2662	2665	2662	2665
<b>O</b> Front track	1740	1740	1740	1740	1740	1740
<b>N</b> Rear track	1704	1704	1704	1704	1704	1704
<b>E</b> Overall width (Cab)	2010	2010	2010	2010	2010	2010
Turning circle kerb to kerb	12084	13800	12084	13800	12084	13800
Turning circle wall to wall	12744	14466	12744	14466	12744	14466

## CARGO AREA (mm)

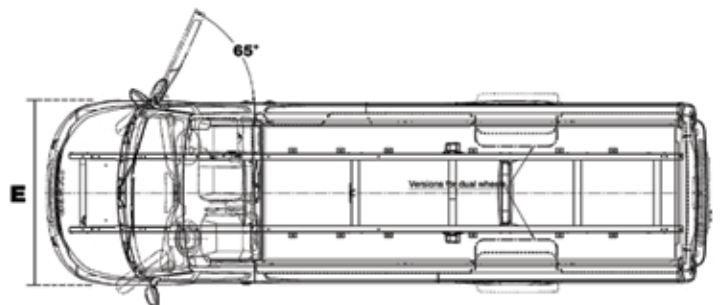
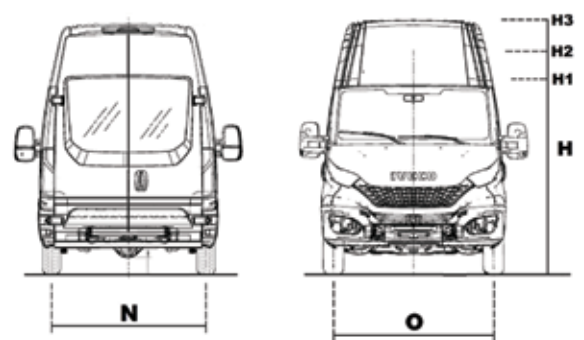
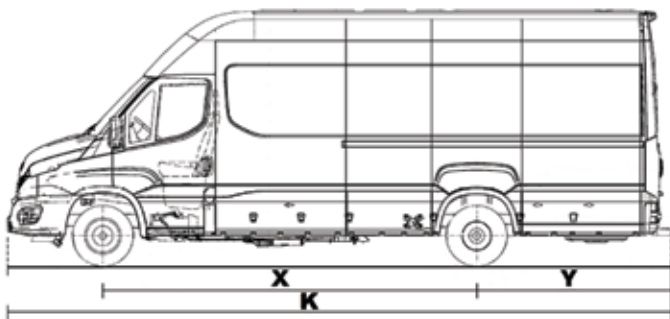
	35S14V Euro VI		35S18V Euro VI		35S21V Euro VI	
Volume (m <sup>3</sup> )	12	16	12	16	12	16
Internal length	3540	4680	3540	4680	3540	4680
Internal width	1740	1740	1740	1740	1740	1740
Internal height	1900 (H2)	1900 (H2)	1900 (H2)	1900 (H2)	1900 (H2)	1900 (H2)
Height of loading floor - unladen	682	685	682	685	682	685
Wheel house distance (int.)	1317	1317	1317	1317	1317	1317
Rear door opening width	1530	1530	1530	1530	1530	1530
Rear door opening height	1800	1800	1800	1800	1800	1800
Side door opening width	1260	1260	1260	1260	1260	1260
Side door opening height	1800	1800	1800	1800	1800	1800

## MASS (kg)

	35S14V Euro VI		35S18V Euro VI		35S21V Euro VI	
GVM	3500*	3500*	3500*	3500*	3500*	3500*
GCM	7000	7000	7000	7000	7000	7000
Towing capacity with braked trailer	3500	3500	3500	3500	3500	3500
Front axle capacity	1900	1900	1900	1900	1900	1900
Rear axle capacity	2240	2240	2240	2240	2240	2240
Kerb mass front axle	1372	1420	1375	1421	1375	1421
Kerb mass rear axle	907	1013	919	1020	919	1020
Kerb mass total**	2279	2433	2294	2441	2294	2441
Payload capacity	1221	1067	1206	1059	1206	1059

\* 3500kg GVM and 6700kg GCM with rear air suspension

\*\* Kerb masses are with minimal fuel, spare wheel, tools and no driver



# DAILY SPECIFICATIONS 50C VAN

## DIMENSIONS (mm)

	50C18V Euro VI				50C21V Euro VI			
<b>X</b> Wheelbase	3520L	4100	4100	4100L	3520L	4100	4100	4100L
<b>Y</b> Rear overhang	1541	2126	2126	2526	1541	2126	2126	2526
<b>K</b> Overall length	6109	7274	7274	7674	6109	7274	7274	7674
<b>H</b> Overall height - unladen	2748	2752	2944	2945	2748	2752	2944	2945
<b>O</b> Front track	1724	1724	1724	1724	1724	1724	1724	1724
<b>N</b> Rear track	1542	1542	1542	1542	1542	1542	1542	1542
<b>E</b> Overall width (Cab)	2010	2010	2010	2010	2010	2010	2010	2010
Turning circle kerb to kerb	12744	14564	14564	14564	12744	14564	14564	14564
Turning circle wall to wall	13366	15190	15190	15190	13366	15190	15190	15190

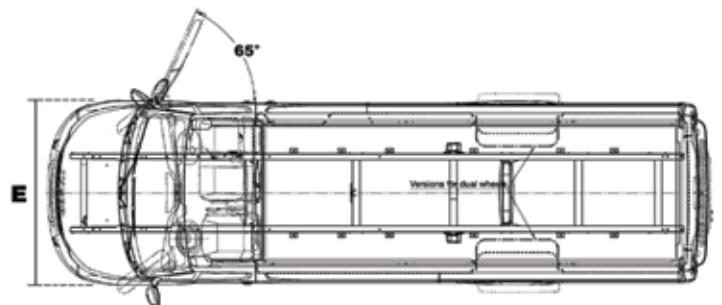
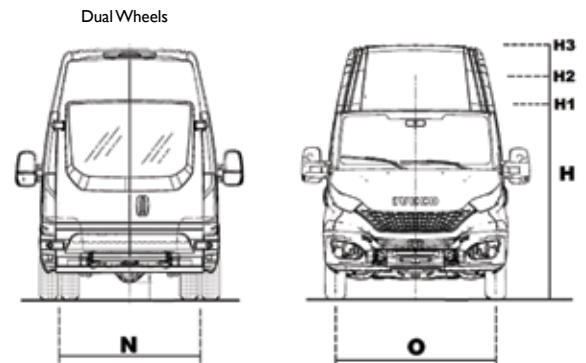
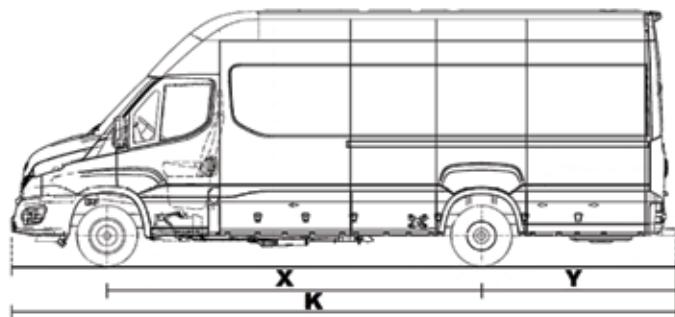
## CARGO AREA (mm)

	50C18V Euro VI				50C21V Euro VI			
Volume (m <sup>3</sup> )	12	16	18	19.6	12	16	18	19.6
Internal length	3540	4680	4680	5125	3540	4680	4680	5125
Internal width	1740	1740	1740	1740	1740	1740	1740	1740
Internal height	1900 (H2)	1900 (H2)	2100 (H3)	2100 (H3)	1900 (H2)	1900 (H2)	2100 (H3)	2100 (H3)
Height of loading floor - unladen	770	774	774	775	770	774	774	775
Wheel house distance (int.)	1032	1032	1032	1032	1032	1032	1032	1032
Rear door opening width	1530	1530	1530	1530	1530	1530	1530	1530
Rear door opening height	1800	1800	2000	2000	1800	1800	2000	2000
Side door opening width	1260	1260	1260	1260	1260	1260	1260	1260
Side door opening height	1800	1800	1800	1800	1800	1800	1800	1800

## MASS (kg)

	50C18V Euro VI				50C21V Euro VI			
GVM	5200	5200	5200	5200	5200	5200	5200	5200
GCM	7995	7995	7995	7995	7995	7995	7995	7995
Towing capacity with braked trailer	3500	3500	3500	3500	3500	3500	3500	3500
Front axle capacity	2100	2100	2100	2100	2100	2100	2100	2100
Rear axle capacity	3700	3700	3700	3700	3700	3700	3700	3700
Kerb mass front axle	1488	1512	1520	1513	1488	1512	1520	1513
Kerb mass rear axle	1065	1177	1193	1230	1065	1177	1193	1230
Kerb mass total*	2553	2689	2713	2743	2553	2689	2713	2743
Payload capacity	2647	2511	2487	2457	2647	2511	2487	2457

\* Kerb masses are with minimal fuel, spare wheel, tools and no driver



# DAILY SPECIFICATIONS 70C VAN

## DIMENSIONS (mm)

	70C18V Euro VI	70C21V Euro VI	70C21V Euro VI	70C21V Euro VI	70C21V Euro VI	70C21V Euro VI
<b>X</b> Wheelbase	4100 (H2)	4100 (H3)	4100L (H3)	4100 (H2)	4100 (H3)	4100L (H3)
<b>Y</b> Rear overhang	2116	2116	2516	2116	2116	2516
<b>K</b> Overall length	7264	7264	7664	7264	7264	7664
<b>H</b> Overall height unladen	2849	3041	3054	2849	3041	3054
<b>O</b> Front track	1725	1725	1725	1725	1725	1725
<b>N</b> Rear track	1660	1660	1660	1660	1660	1660
<b>E</b> Overall width (Cab)	2052	2052	2052	2052	2052	2052
Turning circle kerb to kerb	14108	14108	14108	14108	14108	14108
Turning circle wall to wall	14758	14758	14758	14758	14758	14758

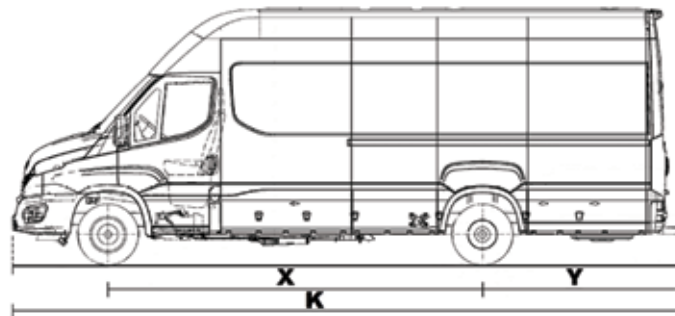
## CARGO AREA (mm)

	70C18V Euro VI	70C21V Euro VI	70C21V Euro VI	70C21V Euro VI	70C21V Euro VI	70C21V Euro VI
Volume (m <sup>3</sup> )	16	18	19.6	16	18	19.6
Internal length	4680	4680	5125	4680	4680	5125
Internal width	1740	1740	1740	1740	1740	1740
Internal height	1900 (H2)	2100 (H3)	2100 (H3)	1900 (H2)	2100 (H3)	2100 (H3)
Height of loading floor - unladen	871	871	884	871	871	884
Wheel house distance (int.)	1032	1032	1032	1032	1032	1032
Rear door opening width	1530	1530	1530	1530	1530	1530
Rear door opening height	1800	2000	2000	1800	2000	1800
Side door opening width	1260	1260	1260	1260	1260	1260
Side door opening height	1800	1800	1800	1800	1800	1800

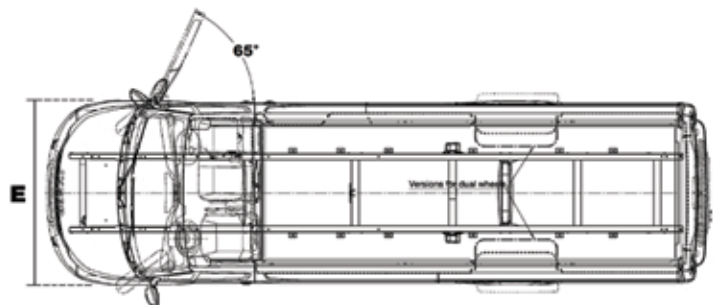
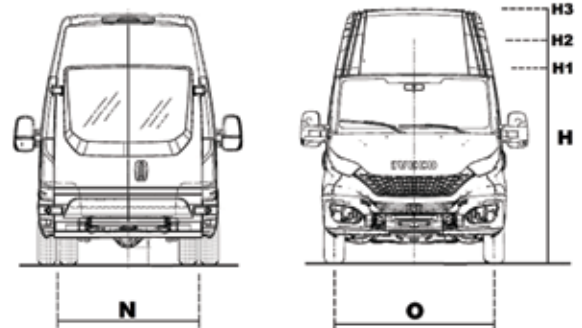
## MASS (kg)

	70C18V Euro VI	70C21V Euro VI	70C21V Euro VI	70C21V Euro VI	70C21V Euro VI	70C21V Euro VI
GVM	7000	7000	7000	7000	7000	7000
GCM	10500	10500	10500	10500	10500	10500
Towing capacity with braked trailer	3500	3500	3500	3500	3500	3500
Front axle capacity	2500	2500	2500	2500	2500	2500
Rear axle capacity	5350	5350	5350	5350	5350	5350
Kerb mass front axle	1590	1602	1601	1590	1602	1601
Kerb mass rear axle	1433	1445	1475	1433	1445	1475
Kerb mass total*	3023	3047	3076	3023	3047	3076
Payload capacity	3977	3953	3924	3977	3953	3924

\* Kerb masses are with minimal fuel, spare wheel, tools and no driver



Dual Wheels



iveco.co.nz

**IVECO**

Your partner for sustainable transport

# DAILY SPECIFICATIONS

## ENGINE

I36EVID FIA Euro 6 Heavy Duty engine (standard on 35S) 4 stroke diesel with direct-injection, intercooler and electronic-controlled variable geometry turbine (e-VGT).

**Maximum Output I36EVID:** 100 kW (136 hp) @ 3600 rpm

**Maximum Torque I36EVID:** 350 Nm (258 ft-lbs) @ 1500 rpm

I80EVID FIC Heavy Duty Euro 6 engine (Standard on 50C & 70C) 4 stroke diesel with direct-injection, Variable Geometry Turbocharger (VGT) and intercooler

**Maximum Output: I80EVID:** 132 kW (180 hp) @ 3500 rpm

**Maximum Torque: I80EVID:** 430 Nm (317 ft-lbs) @ 1500 rpm

**Emissions Technology:** Exhaust Gas Recirculation and Selective Catalytic Reduction

**Total Displacement:** FIA: 2.3 litre, FIC: 3.0 litre

**Exhaust:** Muffler horizontally positioned on the right side and tailpipe located mid-way down right side of vehicle

**Optional Engines available on 35S:**

I80EVID - Engine FIC 180 Hp Euro 6 Heavy Duty 4 stroke diesel with direct-injection and Variable Geometry Turbine (VGT)

210EVID - Engine FIC 210 Hp EURO 6 Heavy Duty 4 stroke diesel with direct-injection and electronically-controlled variable geometry turbine (e-VGT)

**Optional Engine available on 50C and 70C:**

210EVID - Engine FIC 210 Hp EURO 6 Heavy Duty 4 stroke diesel with direct-injection and electronically-controlled variable geometry turbine (e-VGT)

**Maximum Output: I80EVID:** 132 kW (180 hp) @ 3500 rpm

**Maximum Torque: I80EVID:** 430 Nm (317 ft-lbs) @ 1500 rpm

**Maximum Output: 210EVID:** 155 kW (210 hp) @ 3500

**Maximum Torque: 210EVID:** 470 Nm (347 ft-lbs) @ 1500

## TRANSMISSION

6-speed Synchromesh Double Overdrive Manual Transmission

**Type:** 2835.6 DOD (136 hp)

1st 5.004, 2nd 2.635, 3rd 1.503, 4th 1.000, 5th 0.812 OD, 6th 0.685 DOD, Rev. 4.189

6-speed Synchromesh Manual Transmission

**Type:** 2840.6 OD (180 hp) 1st 5.375, 2nd 3.154, 3rd 2.041, 4th 1.365, 5th 1.000, 6th 0.791 OD, Rev. 4.838

**Optional Transmission:** 8-speed ZF Torque Converter Automatic (Hi-Matic)

**Type:** 8V470A

1st 4.696, 2nd 3.130, 3rd 2.104, 4th 1.667, 5th 1.285, 6th 1.000, 7th 0.839 OD, 8th 0.667 DOD, Rev. 3.297

## STEERING

**Type:** Hydraulic power steering

**Diameter:** 380 mm diameter steering wheel with telescopic adjustment

## CLUTCH

**Type:** Single dry plate hydraulic control

**Diameter:** 267 mm (136 hp); 280 mm (180 hp)

## FRONT AXLE & SUSPENSION

**Capacity:** 1900 kg (35S)

**Capacity:** 2100 kg (50C)

**Capacity:** 2500 kg (70C)

**Suspension Type:** Double wishbone with transversal leaf spring (35S)

**Suspension Type:** Independent with adjustable steel torsion bar (50C and 70C)

## REAR AXLE & SUSPENSION

**Capacity:** 2430 kg (35S)

**Capacity:** 3700 kg (50C)

**Capacity:** 5350 kg (70C)

**Suspension Type:** Rear parabolic spring

**Optional Suspension:** ECAS - Rear air suspension (35S 3.5T GVM)

**Optional Suspension:** ECAS - Rear air suspension (50C and 70C)

**Capacity:** 2240 kg (35S 3.5T GVM)

**Rear axle ratio:** 35S - 3.60: 1

**Rear axle ratio:** 50C - 3.60: 1

**Rear axle ratio:** 70C - 4.30: 1

**Optional Differential:** Driver Controlled Differential Lock (50C and 70C)

## BRAKES

**Front / Diameter:** Disc brakes / 300 mm (35S)

**Front / Diameter:** Disc brakes / 290 mm (50C)

**Front / Diameter:** Disc brakes / 301 mm (70C)

**Rear / Diameter:** Disc brakes / 296 mm (35S)

**Rear / Diameter:** Disc brakes / 290 mm (50C)

**Rear / Diameter:** Disc brakes / 306 mm (70C)

**Parking brake:** Manual Handbrake

**Service brakes:** Full ABS disc brakes with floating calipers and auto wear adjustment. Hydraulically operated with vacuum servo assistance. Dual circuit configuration; cross split on 35S & independent from 50C up to 70C. Low Brake fluid level indicator - front & rear pad wear sensors. Asbestos free pads.

## SAFETY

- **ESP9** - Includes: ABS (Antilock Braking System), EBD (Electronic Brake force Distribution), ASR (Anti Slip Regulator), MSR (Motor Drag torque control) Hill Holder (Assisted uphill departure), HBA (Hydraulic Brake Assist), LAC (Load Adaptive Control), TSM (Trailer sway mitigation), RMI (Roll Movement Intervention), ROM (Roll Over Mitigation) & Crosswind assist
- Four SRS airbags
- Advanced Emergency Braking System (AEBS)
- Traction Plus
- Hill Descent Control

## FUEL SYSTEM

100 litres with fuel cap location on passenger side (70 litres on 7.3m<sup>3</sup>)

20 litre Adblue

## ELECTRICAL SYSTEM

**Type:** 12V

**Battery:** 12V-110 Ah (Smart-charging)

**Smart Alternator:** 12V-220 A

**Trailer:** Wiring to rear of chassis

## CHASSIS

**Type:** C Section steel longitudinal side members and tubular cross members

## WHEELS & TYRES

**Wheels:** Steel 6.5J x R16 (35S); Steel 5J x R16 (50C); Steel 6J x R16 (70C)

- Spare wheel included - in load compartments on some models
- Single rear wheel (35S)
- Dual rear wheels (50C and 70C)

**Type Size:** 235/65 R16 (35S); 195/75 R16 (50C); 225/75 R16 (70C)

## CABIN FEATURES

- Driver, passenger and curtain airbags with seat belt pretensioners
- Driver's seat with tilt function
- Bench seat with two occupant capacity, under seat storage and fold down table
- Electric windows
- Exterior mirrors with integrated wide angle and direction indicators, heated and electronically adjustable
- Overhead console with storage shelf
- Large dual storage pockets in doors
- Document storage compartment
- Body builder connections
- 2 cup and 2x bottle holders
- Air conditioning
- Manual parking brake
- Ecoswitch Pro
- 2 spotlights
- 4 loud speakers
- Automatic headlights and wipers

## LIGHTS

- Daytime running lights
- Optional full LED headlights (part of Hi-Vision Pack)
- Fog Lights

## DASHBOARD

- 3.5" high resolution TFT colour display and silver dial rings
- TFT Display Panel includes: digital speedometer, ADAS (Advanced Driver-Assistance Systems) dashboard, ADAS quick menu, TPMS, oil, battery and service information. Navigation and phone multimedia, fuel economy, trip computer, vehicle settings, display settings and diagnostics.
- Engine oil level display
- Instrument light dimmer switch
- Dash-mounted gear lever
- 3 storage areas on top of dash
- Hi-Connect multimedia system with satellite navigation including Apple Car Play and Android Auto

## SECURITY

- Central locking with remote control
- Steering lock
- Engine immobiliser
- Run Lock Function (Only available if Expansion Module option is selected) fitted as part of the Hi-Efficiency pack

## LOAD AREA

- Floor - steel ribbed with load lashing rings
- Side access via top hung side sliding door internal step and grab handle
- Rear access by hinged doors with stops at 90° and 270° and grab handle
- Interior lights at side and rear (door operated with individual isolation)
- Full bulkhead with window (optional)



# DAILY OPTIONAL UPGRADE PACKS

## HI-COMFORT PACK

- Automatic controlled air conditioning
- Leather covered steering wheel
- Tyre Pressure Monitoring System (TPMS)
- Open storage with inductive plus USB charge
- Heated and suspended drivers and passenger seats

## HI-EFFICIENCY PACK

- Tyre Pressure Monitoring System
- Run-Lock function



HEATED SEAT



INDUCTIVE CHARGE



STEERING WHEEL



AIR CONDITIONING

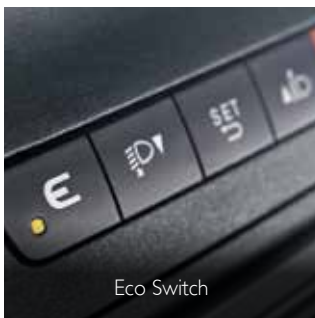


## HI-SAFETY PACK

- Queue assist (Automatic option only)
- City brake pro – Active Emergency Braking System (AEBS)
- Electric park brake
- Active cruise control

## HI-VISION PACK

- L.E.D Headlights
- Automatic high beam control







IVECO TRUCKS NEW ZEALAND LIMITED, 1 JERRY GREEN STREET, WIRI, AUCKLAND 2104, NEW ZEALAND, TELEPHONE: 0800 367 483, WWW.IVECO.CO.NZ. THE INFORMATION IN THIS DOCUMENT WAS CORRECT AT THE TIME OF PRINTING. ALL WEIGHTS AND MEASUREMENTS ARE APPROXIMATE ONLY. IMAGES IN THIS DOCUMENT MAY SHOW EQUIPMENT NOT INCLUDED IN THE STANDARD VEHICLE AND ARE SUBJECT TO AVAILABILITY. WE RESERVE THE RIGHT TO AMEND ANY PART OF THIS DOCUMENT WITHOUT NOTICE. IVECN20162.03/21